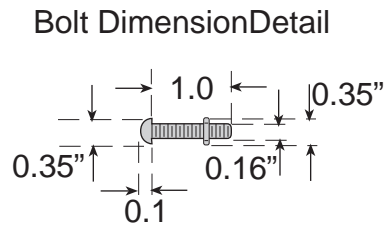
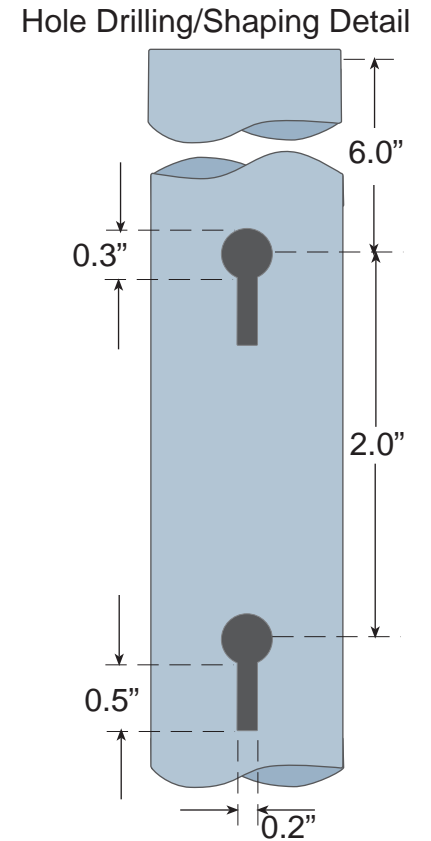
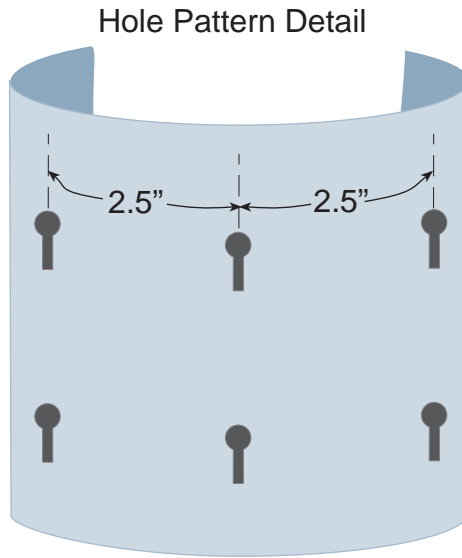
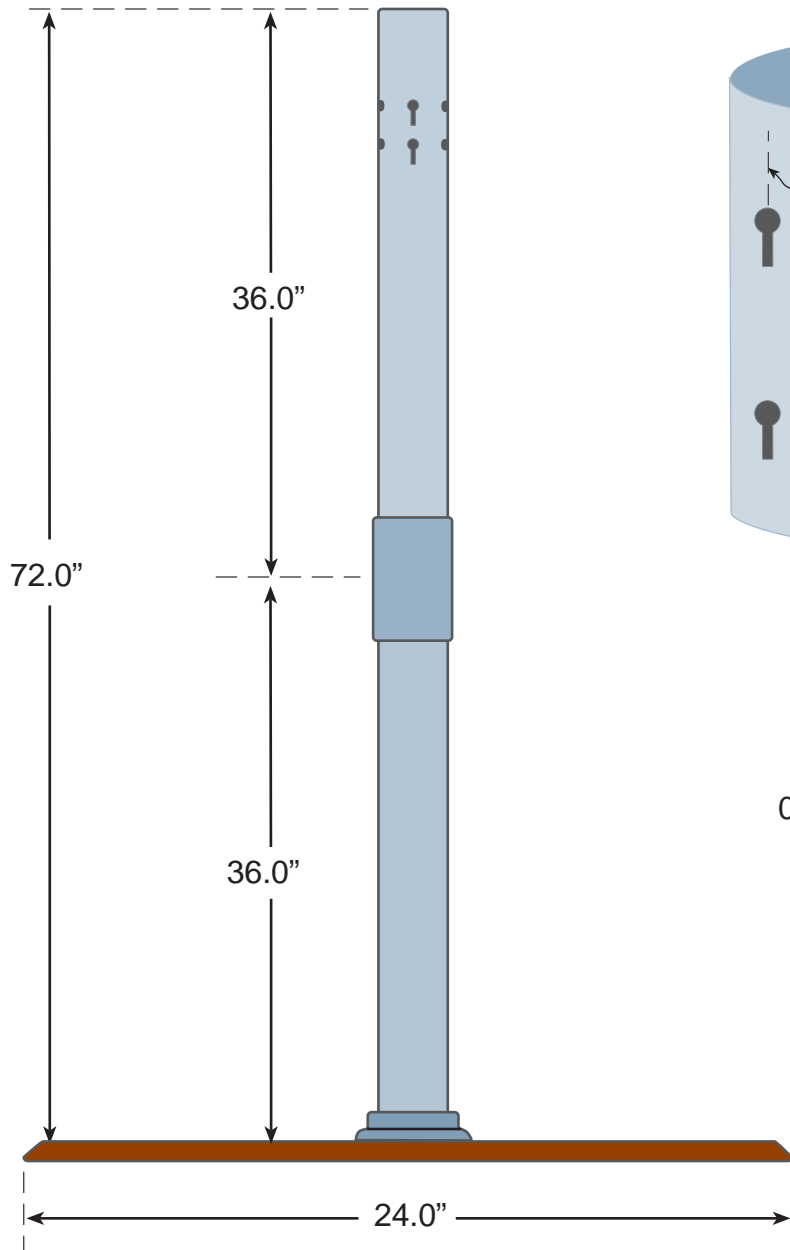


Mini Transformer Mounting Pole Part Number: TP.001PVC



Material List

- 6 foot - 3 inch Schedule 40 PVC
- 1 each - 3 inch coupling (optional)
- 1 each cap (optional & not shown)
- 1 each - 3 inch flange (Shower drain inverted)
- 1 each 2' x 2' 3/4" plywood w/beveled edges
- 6 each 5/8" drywall screws or 1/4" bolts w/nuts & washers

Note:
Using a 19/64" drill bit provides proper hole dimensions
Elongate mounting holes using a round chain saw file