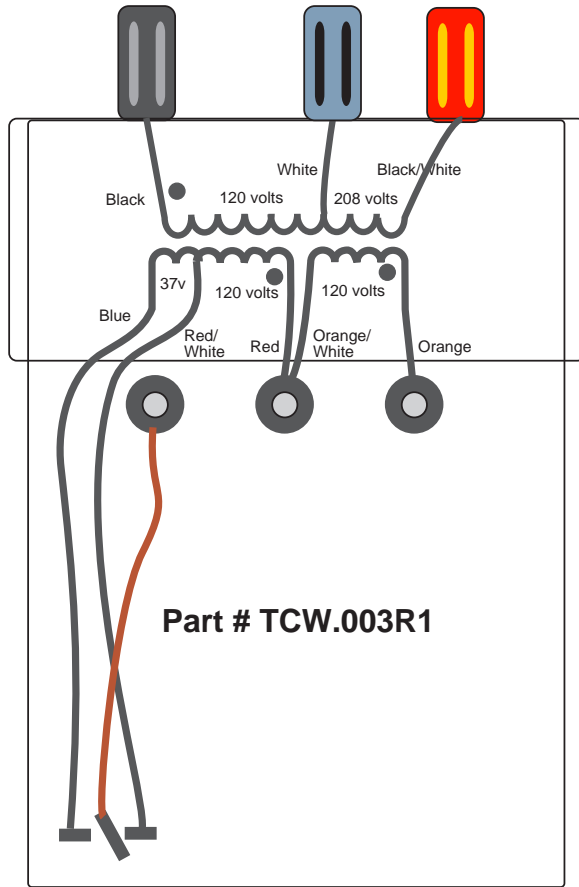
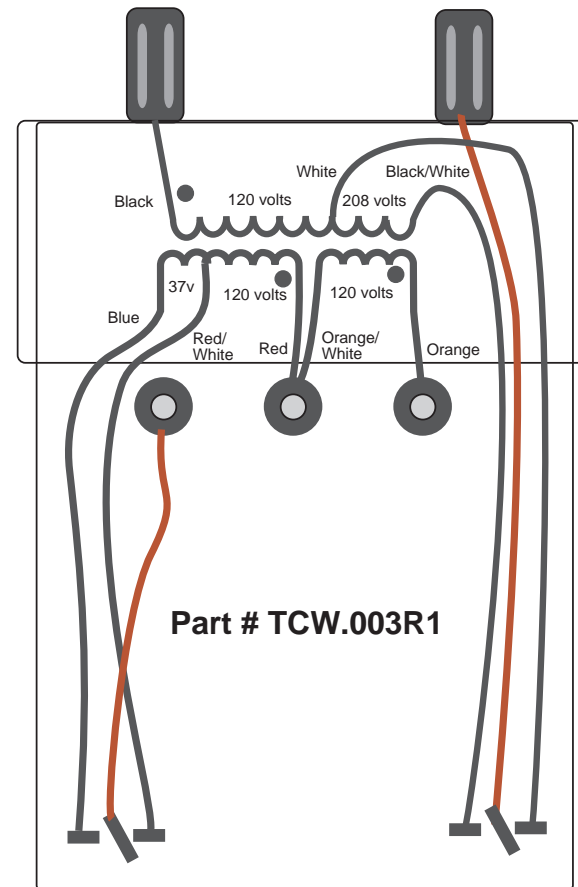


Mini Transformers Part Number: TCW.003R1



Alternate Design - Three (3) Source Bushing



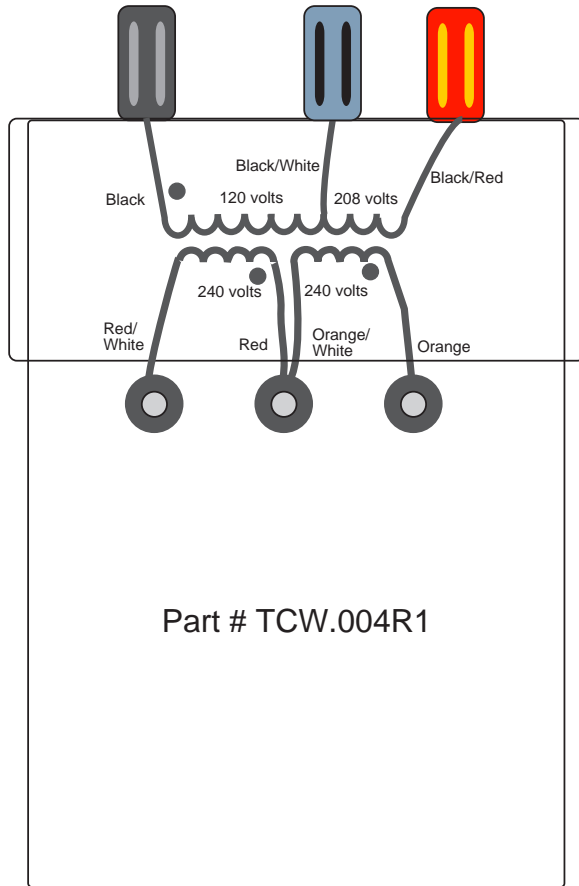
Original Design Two (2) Source Bushing

Possession of this document is acknowledgment that it and its contents are the exclusive property of the Associated Training Corp. This document may not be reproduced without written permission from Associated Training Corp.

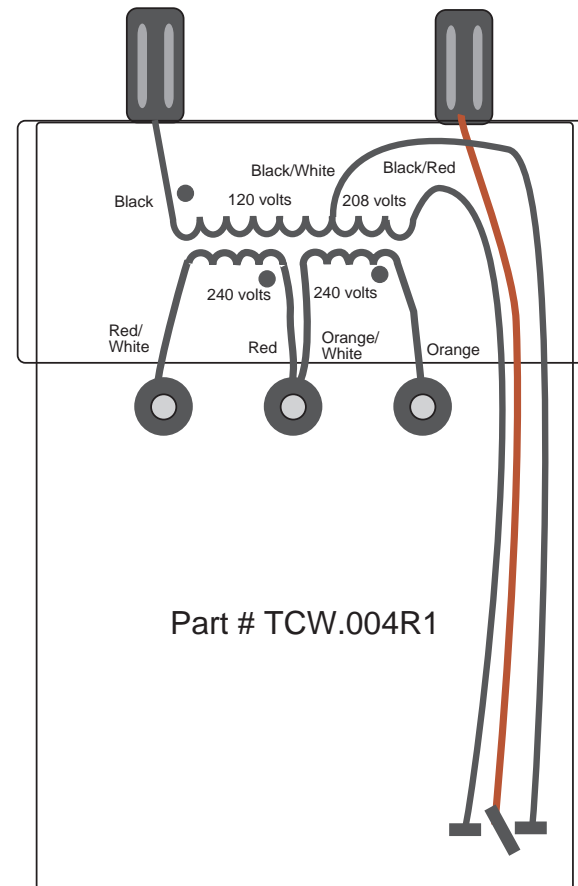
Drawn by: WPB 04.24.07



Mini Transformers Part Number: TCW.004R1



Alternate Design - Three (3) Source Bushing



Original Design Two (2) Source Bushing

Possession of this document is acknowledgment that it and its contents are the exclusive property of the Associated Training Corp. This document may not be reproduced without written permission from Associated Training Corp.

Drawn by: WPB 04.24.07

